

# Series 320M



**HOLZ**  
RUBBER COMPANY, INC.  
1-800-285-1600 • Quality Since 1935

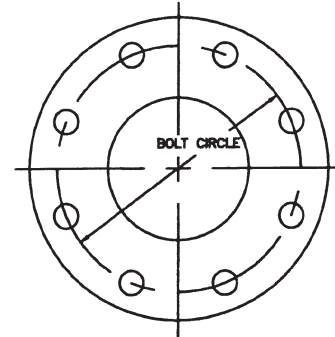
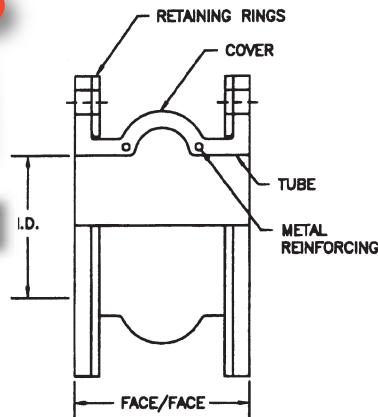
Quality • Value • Service

## Rubber Expansion Joints



# Series 320M

1 1/2" to 20" Diameter

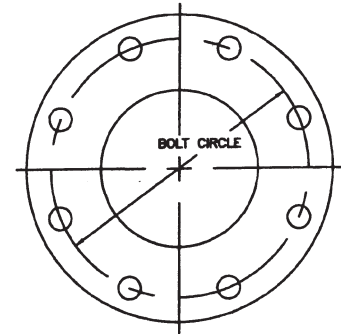
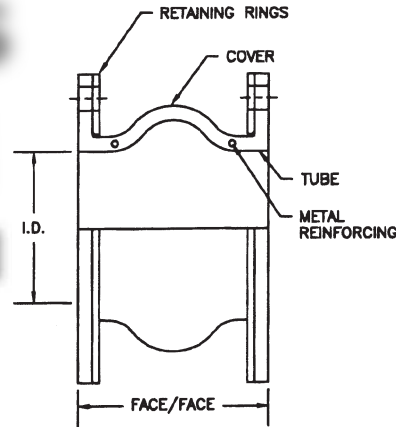


NOMINAL I.D.		FACE/FACE		MOVEMENTS (INCHES)				PRESSURE		WEIGHTS			DIMENSIONS (IN INCHES)			
INCHES	MM	INCHES	MM	COMP.	EXT.	LAT.	ANG. DEG.	PSIG	IN. HG	JOINT lbs./ea.	RINGS lbs./set	RODS lbs./unit	FLANGE O.D.	BOLT CIRCLE	NO. HOLES	HOLE DIA.
1 1/2	40	6	150	1.25	0.625	0.625	28.00	225	30	1.3	4.0	3.5	5.00	3.875	4	0.625
2	50	6	150	1.25	0.625	0.625	25.00	225	30	1.5	4.5	3.0	6.00	4.750	4	0.625
2 1/2	65	6	150	1.25	0.625	0.625	20.25	225	30	2.0	6.0	3.7	7.00	5.500	4	0.750
3	80	6	150	1.25	0.625	0.625	18.00	225	30	2.4	7.0	3.7	7.50	6.000	4	0.750
4	100	6	150	1.25	0.625	0.625	14.25	225	30	3.3	8.0	3.0	9.00	7.500	8	0.750
5	125	6	150	1.25	0.625	0.625	13.00	225	30	4.0	9.0	4.7	10.00	8.500	8	0.875
6	150	6	150	1.25	0.625	0.625	12.25	225	30	6.2	10.0	4.7	11.00	9.500	8	0.875
8	200	6	150	1.25	0.625	0.625	12.00	210	30	9.9	14.5	9.6	13.50	11.75	8	0.875
10	250	8	203	2.00	0.625	1.00	11.90	210	30	17.4	17.5	10.5	16.00	14.25	12	1.000
12	300	8	203	2.00	0.625	1.00	11.30	210	30	26.4	24.5	10.5	19.00	17.00	12	1.000
14	350	8	203	2.00	0.625	1.00	11.55	150	30	34.2	27.0	12.3	21.00	18.75	12	1.125
16	400	8	203	2.00	0.625	1.00	10.12	150	30	39.7	32.5	13.5	23.50	21.25	16	1.125
18	450	8	203	2.00	0.625	1.00	8.95	150	30	44.0	32.5	14.5	25.00	22.75	16	1.250
20	500	8	203	2.00	0.625	1.00	8.10	150	30	48.5	38.0	16.0	27.50	25.00	20	1.250

Movements shown are non-concurrent.  
 Pressure ratings are based on an operating temperature of 194 °F.  
 All sizes are supplied with ANSI 150# drilled flanges.  
 Available in most materials including Teflon lined.

# Series 320M

24" to 72" Diameter



NOMINAL I.D.		FACE/FACE		MOVEMENTS (INCHES)				PRESSURE		WEIGHTS			DIMENSIONS (IN INCHES)			
INCHES	MM	INCHES	MM	COMP.	EXT.	LAT.	ANG. DEG.	PSIG	IN. HG	JOINT lbs./ea.	RINGS lbs./set	RODS lbs./unit	FLANGE O.D.	BOLT CIRCLE	NO. HOLES	HOLE DIA.
24	600	10	250	3.00	1.00	1.50	9.00	110	28	54.0	48.0	32.0	32.00	29.50	20	1.375
26	650	10	250	3.00	1.00	1.50	8.25	100	28	62.0	57.0	32.0	34.25	31.75	24	1.375
28	700	10	250	3.00	1.00	1.50	7.75	100	28	70.0	62.0	32.0	36.50	34.00	28	1.375
30	750	10	250	3.00	1.00	1.50	7.50	100	28	79.4	66.0	32.0	38.75	36.00	28	1.375
32	800	10	250	3.00	1.00	1.50	7.00	100	28	86.0	75.0	43.0	41.75	38.50	28	1.625
36	900	10	250	3.00	1.00	1.50	6.75	100	28	101.4	81.0	43.0	46.00	42.75	32	1.625
40	1000	10	250	3.00	1.00	1.50	6.50	100	28	132.0	106.0	43.0	50.75	47.25	36	1.625
42	1050	12	305	3.00	1.00	1.50	6.25	100	28	143.0	116.0	44.0	53.00	49.50	36	1.625
44	1100	12	305	3.00	1.00	1.50	6.00	100	28	149.6	127.0	44.0	55.25	51.75	40	1.625
48	1200	12	305	3.00	1.00	1.50	6.00	100	28	163.0	138.0	44.0	59.50	56.00	44	1.625
52	1300	12	305	3.00	1.00	1.50	5.50	90	28	190.0	157.0	87.0	64.00	60.50	44	1.875
54	1350	12	305	3.00	1.00	1.50	5.50	90	28	210.0	160.0	87.0	66.25	62.75	44	1.875
60	1500	12	305	3.00	1.00	1.50	4.80	90	28	262.0	190.0	87.0	73.00	69.25	52	1.875
64	1600	12	305	3.00	1.00	1.50	4.30	90	28	288.0	226.0	87.0	78.00	74.00	52	2.000
66	1650	12	305	3.00	1.00	1.50	4.10	90	28	300.0	236.0	87.0	80.00	76.00	52	1.875
72	1800	12	305	3.00	1.00	1.50	3.40	90	28	417.0	278.0	87.0	86.50	82.50	60	1.875

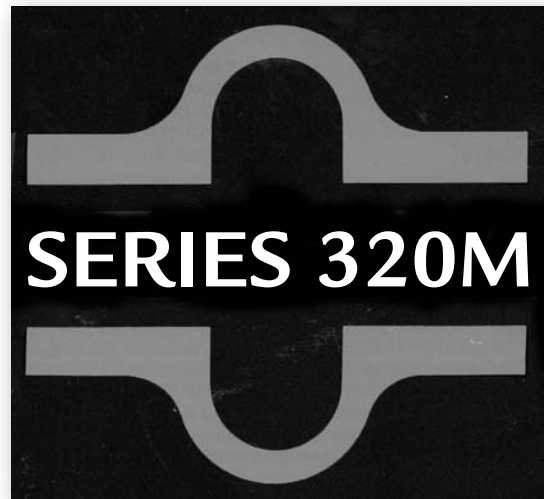
Movements shown are non-concurrent.

Pressure ratings are based on an operating temperature of 194°F.

All sizes are supplied with AWWA C-207-78, Table 3, Class E, ANSI 150# drilled flanges.

Available in most materials including Teflon lined.

# Rubber Expansion Joints



**SERIES 320M Expansion Joints are ideal for use in the following applications:**

## INDUSTRIES

- Waste Water Treatment
- Pulp and Paper
- Petrochemical
- Marine
- Construction
- Power Plants
- General Industrial

## SYSTEMS

- Circulating Water
- Turbine to Condenser
- Paper Stock
- Refrigeration
- Air Conditioning
- Compressor
- Air Circulation
- Sewage



**Holz Rubber Company, Inc.**

**World Headquarters**

1129 South Sacramento Street • Call Box 241002  
Lodi, CA 95241 USA

Local/Int'l. Tel. 209-368-7171 • Fax 209-368-3246

TOLL FREE (U.S. & Canada) 1-800-285-1600

TOLL FREE FAX (U.S. & Canada) 1-800-756-9998

<http://www.holzrubber.com>

E-mail: [ejsales@holzrubber.com](mailto:ejsales@holzrubber.com)

*Manufacturers of Engineered Expansion Joints*

Distributed by:

